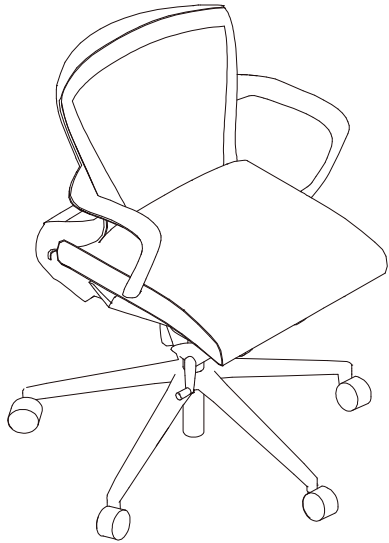


CORPORATE LIVING

L-SERIES DESIGNS



ISOMETRIC

FEATURES

SELF ORIENTING AT AUTO RETURN
HEIGHT LEVELING SYSTEM
FRAME COLOURS: DESIGNER WHITE
OR ART BLACK

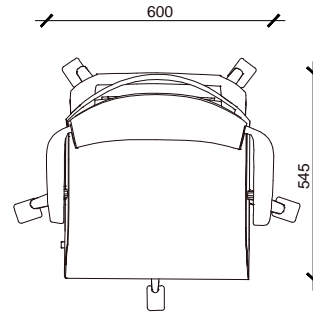
SEAT COLOURS: JET BLACK/ ROSSO RED/
SAND / SKY BLUE / LIME GREEN

OPTIONAL: FEET HOOPS OF CASTORS

W 600

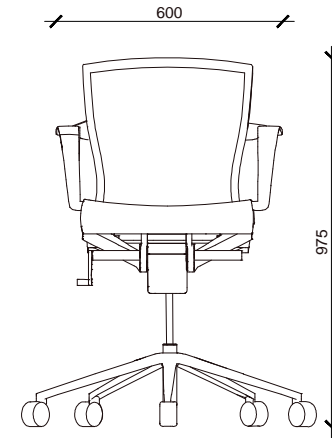
D 545

H 975



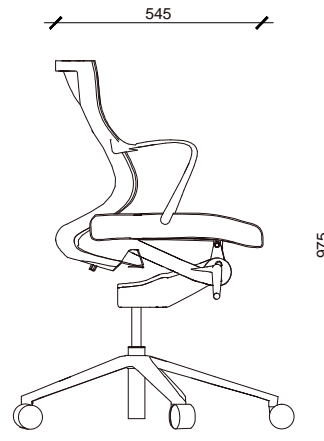
PLAN

SCALE 1:20



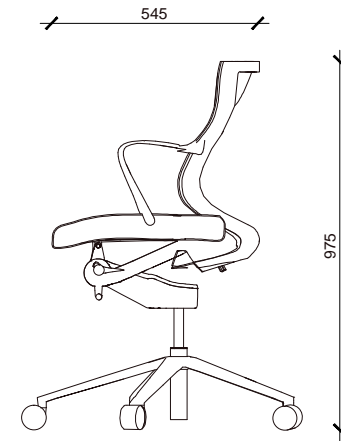
FRONT ELEVATION

SCALE 1:20



LEFT SIDE ELEVATION

SCALE 1:20



RIGHT ELEVATION

SCALE 1:20



Corporate Living Warehouse & Distribution Centre

Boston House 10 Tacoma Circuit
Canning Vale WA PO Box 202 Parkwood WA 6147

P: +61 (08) 9354 0199 E: www.corporateliving.net.au

CORPORATE LIVING: L - SERIES CHAIRS
FRAME COLOUR : L 42 MEETING ROOM
FABRIC COLOUR: WHITE/BLACK AUTO CHAIR
CHAIR SIZE: AS ABOVE
AS ABOVE

DATE: 06 05 2013
DATE/DRAWING: L-SERIES L42 MEETING ROOM AUTO CHAIR
DATG: 1:20 @ A4
DRAWING NO: A.03
REVISION: A
DRAWN: JR
PROJECT LEADER: MS
DESIGN DIRECTOR: WJ